

LASER PEGS®

The Ultimate Toy For Kids®

MPS 100 AIRCRAFT

For Boys And Girls
Ages 5 And Up

4 Models+
Any creation you can build

LIGHTED CONSTRUCTION SET INCLUDES:

- 2 Laser Pegs®
- 37 Construction Parts
- Mobile Power Source
- Instruction Manual

Batteries
Included

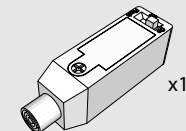


EN71, RoHS COMPLIANT
This product complies to all safety requirements of ASTM F 963

MODEL INSTRUCTIONS

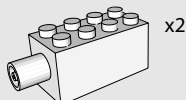
All additional model instructions can be downloaded at www.LaserPegs.com

Laser Pegs® Parts List



x1

MPS
MOBILE POWER SOURCE

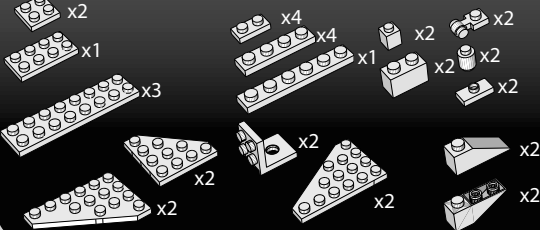


x2



Laser Pegs® link that allows you to connect to other construction kits.

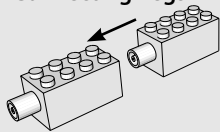
Construction Parts List



www.LaserPegs.com

This manual is copyright and cannot be reproduced or used online without Laser Pegs® Ventures LLC permission. Copyright 2013 © All Rights Reserved US Patent #7,731,558 Additional Global & Multiple Patents Pending. Laser Pegs® Ventures LLC, 8304 Consumer Ct., Sarasota FL, 34240. Contact: Support@LaserPegs.com

Connecting Pegs

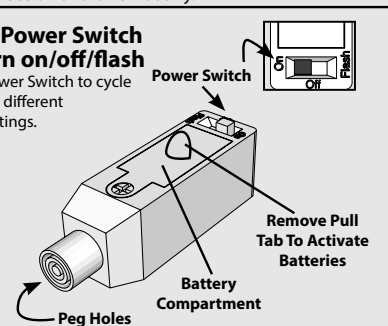


Construction Compatible

To construct with Laser Pegs®, slide two pieces together to form a connection. Slide each piece on and off smoothly.

Slide Power Switch to turn on/off/flash

Slide Power Switch to cycle through different light settings.

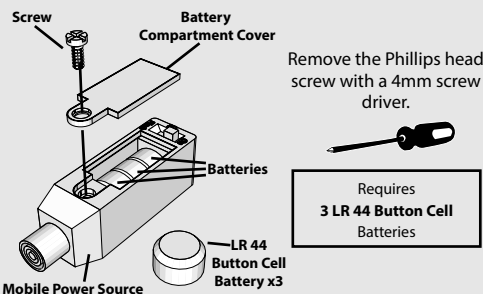


*To avoid short-circuits, keep metal objects and other unauthorized materials from obstructing the peg holes.

Please dispose of batteries properly as per state and local regulations.

Replacing Batteries

1. Remove the Phillips head screw.
2. Remove the Battery Compartment Cover.
3. Place three LR 44 batteries in the correct position.
4. (Batteries are to be inserted with the correct polarity).
5. Replace the Battery Compartment Cover.
6. Replace the Phillips head screw.
7. Slide Power Switch to turn on!
8. Do not mix old and new batteries.
9. Do not mix alkaline, standard (carbon-zinc), or rechargeable (nickel-cadmium, NiMH) batteries! Exhausted batteries are to be removed from the power base.
10. Never connect more than 4 Laser Pegs®
11. Non-rechargeable batteries are not to be recharged.
12. Rechargeable batteries are only to be recharged under adult supervision.
13. Rechargeable batteries are to be removed from the toy before being recharged.
14. The supply terminals are not to be short-circuited.
15. DO NOT THROW BATTERIES INTO FIRE!



Requires
3 LR 44 Button Cell
Batteries

WARNING! Each Laser Peg® draws current from the batteries. Therefore, the more pegs you use, the quicker you will deplete your battery power! As the power weakens, the current will slowly fail and some Laser Pegs® will illuminate (typically the reds and yellows) and some won't. When the Laser Pegs® dim, the Laser Pegs® are not broken, they just need stronger batteries. You have 3 simple options...

1. Change the batteries.
2. Use high quality batteries. They will last a little longer, but they will still deplete rapidly the more Laser Pegs® you connect!

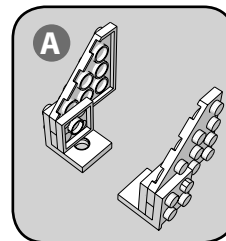
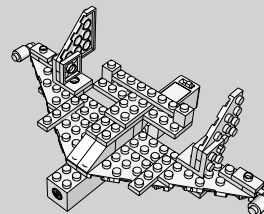
LIGHT BOMBER: A fast, military aircraft created to carry and drop explosive devices.



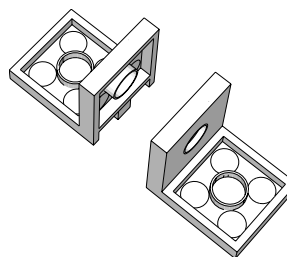
LIGHT BOMBER

Model
Difficulty
Level

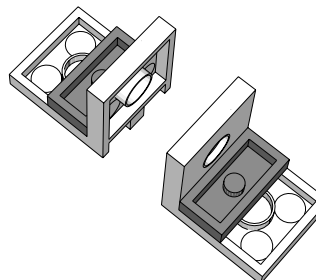
2



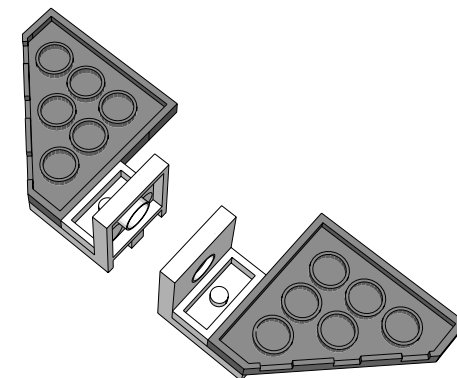
STEP 1



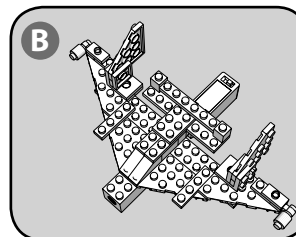
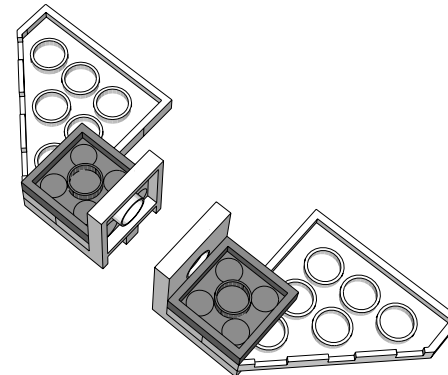
STEP 2



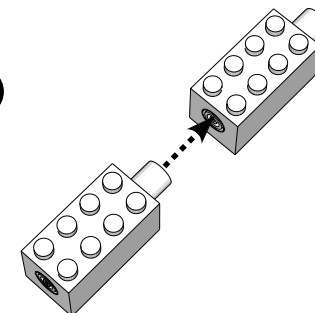
STEP 3



STEP 4



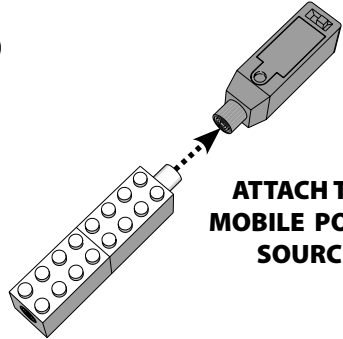
STEP 5



Environmental Phenomena

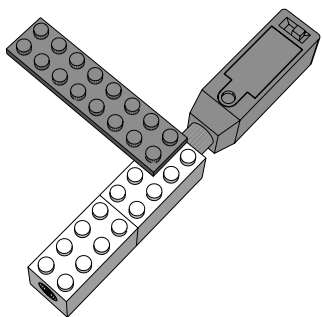
*The unit may malfunction if subjected to radio-frequency interference. It SHOULD revert to normal operation when the interference stops. If not, it may become necessary to turn the power off and back on, or remove and reinstall the batteries. * In the unlikely event of an electrostatic discharge, the unit may malfunction and lose memory, requiring the user to reset the device by removing and reinstalling the batteries.

STEP 6

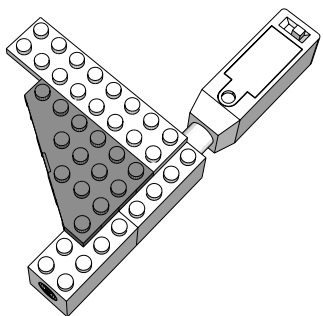


**ATTACH THE
MOBILE POWER
SOURCE**

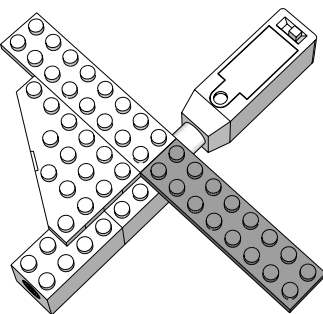
STEP 7



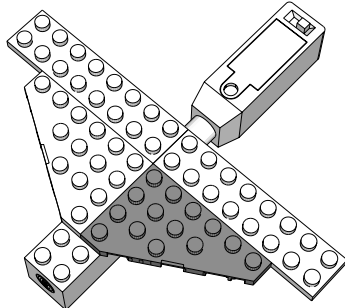
STEP 8



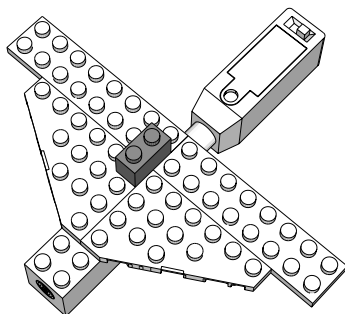
STEP 9



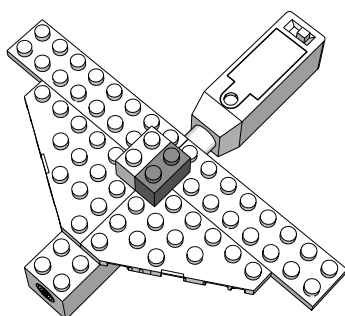
STEP 10



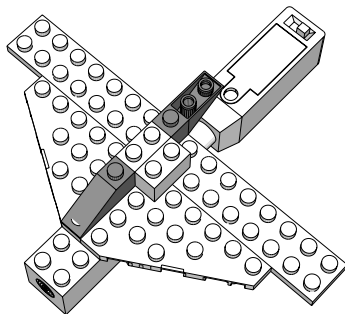
STEP 11



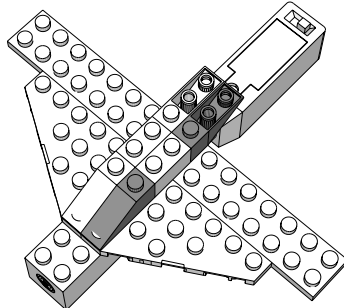
STEP 12



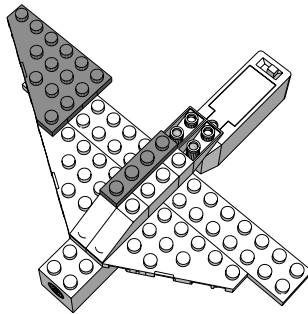
STEP 13



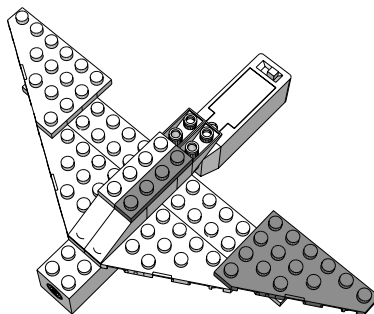
STEP 14



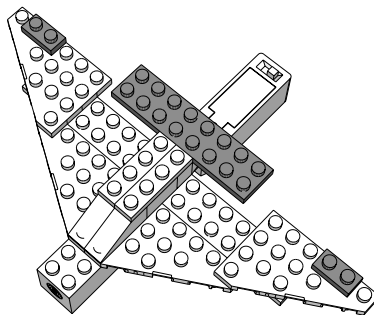
STEP 15



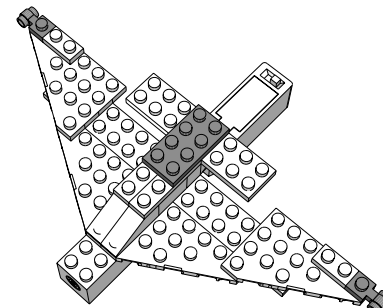
STEP 16



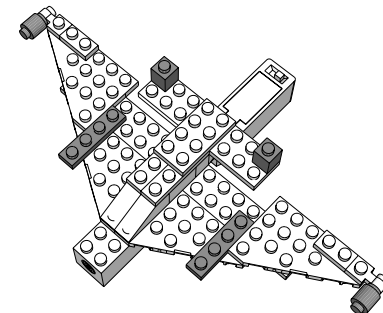
STEP 17



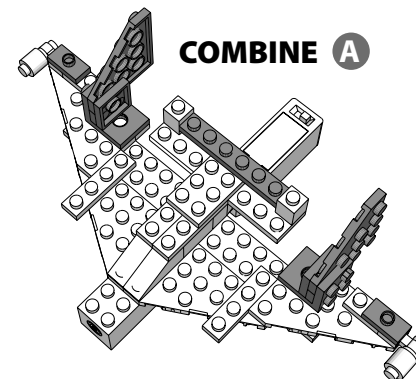
STEP 18



STEP 19

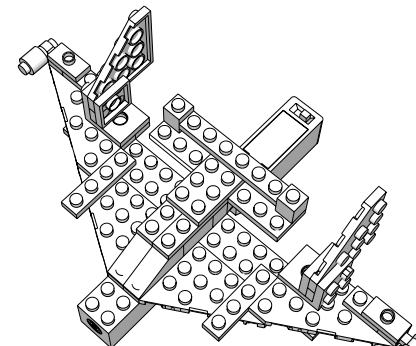


STEP 20



COMBINE A

STEP 21



Laser Pegs® CARES
Questions? Comments?
For additional compliance info:
1-866-432-3735
Contact: Support@LaserPegs.com

www.LaserPegs.com
Copyright 2013 © All Rights Reserved Global & Multiple Patents Pending.
US Patent #7,731,558
MADE IN CHINA