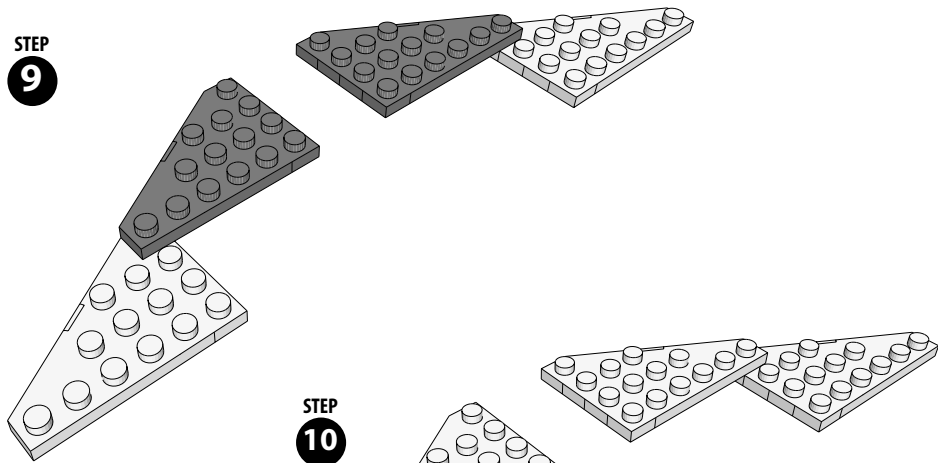
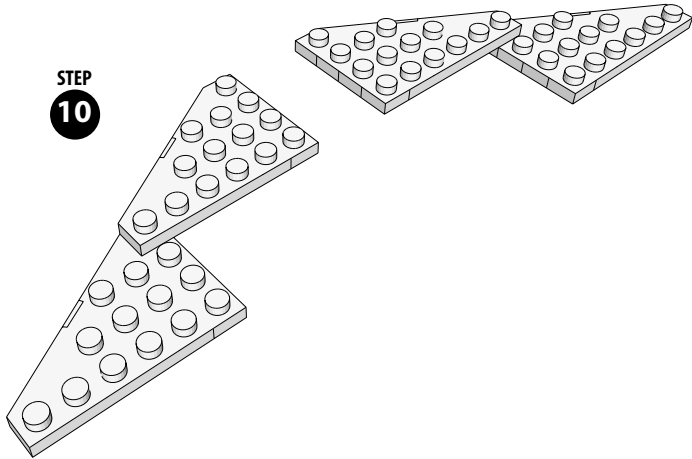


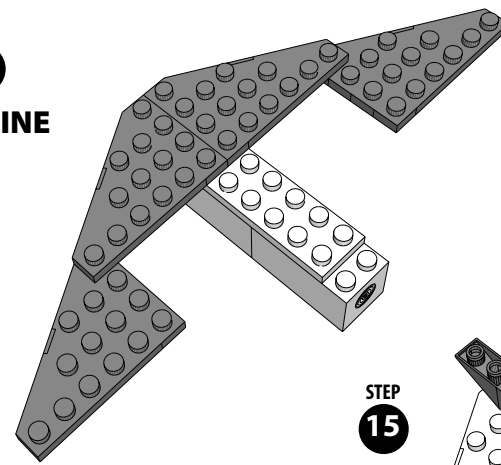
STEP 9



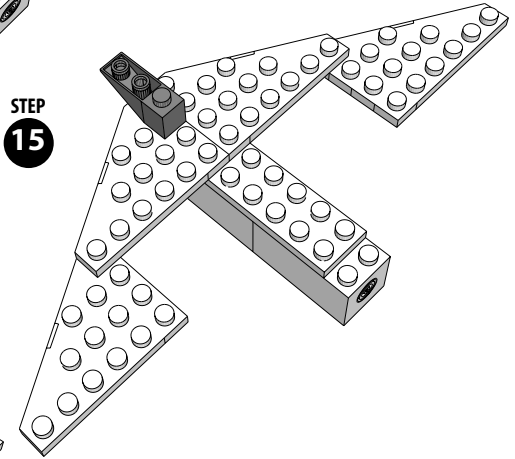
STEP 10



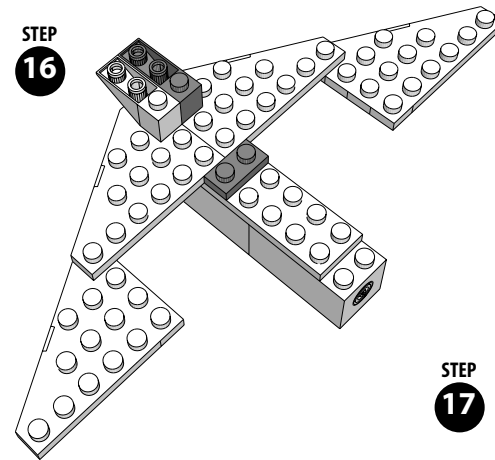
STEP 14
COMBINE
B



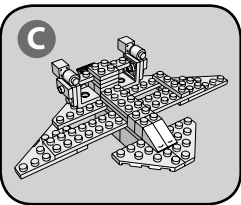
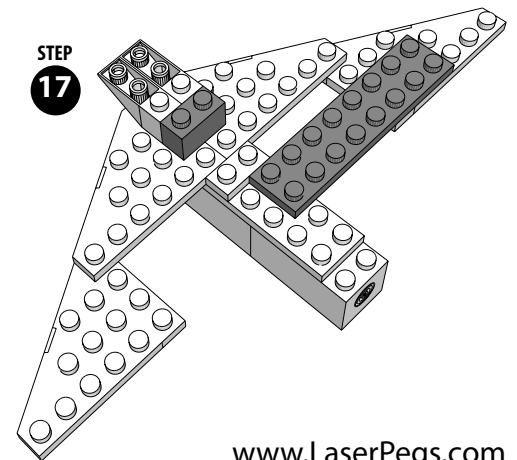
STEP 15



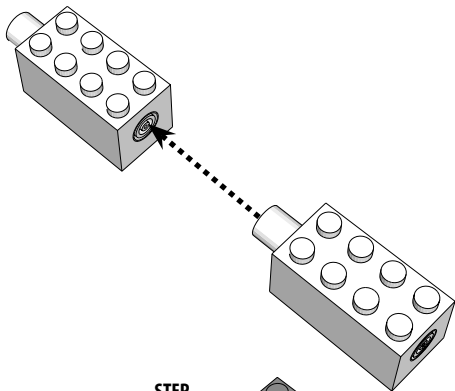
STEP 16



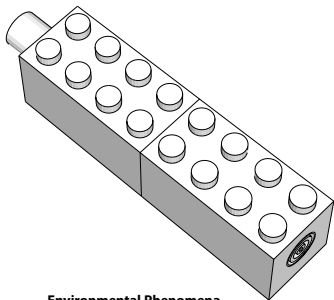
STEP 17



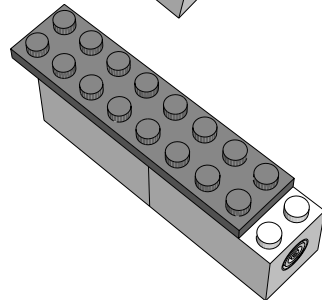
STEP 11



STEP 12



STEP 13



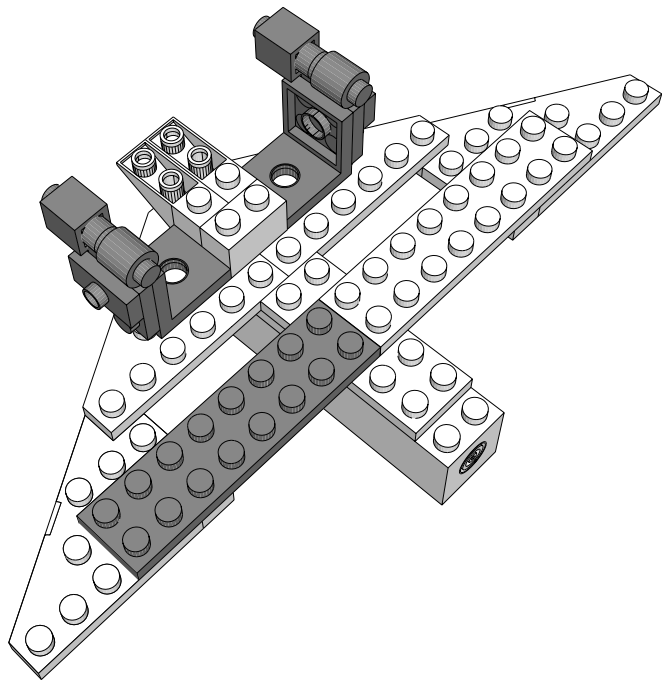
Environmental Phenomena

* The unit may malfunction if subjected to radio-frequency interference. It SHOULD revert to normal operation when the interference stops. If not, it may become necessary to turn the power off and back on, or remove and reinstall the batteries. * In the unlikely event of an electrostatic discharge, the unit may malfunction and lose memory, requiring the user to reset the device by removing and reinstalling the batteries.

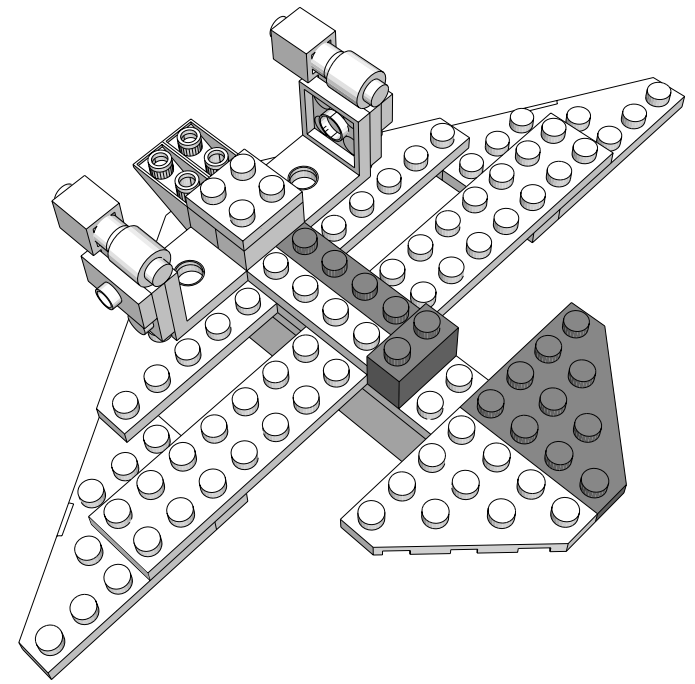
STEP
18

COMBINE

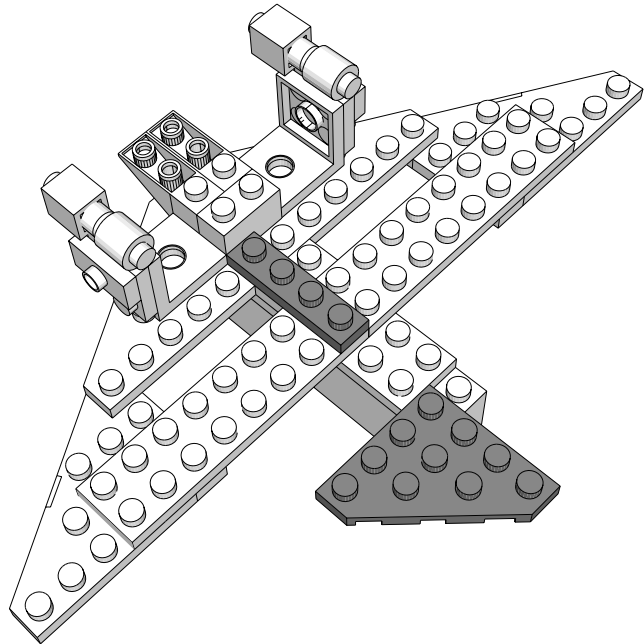
A



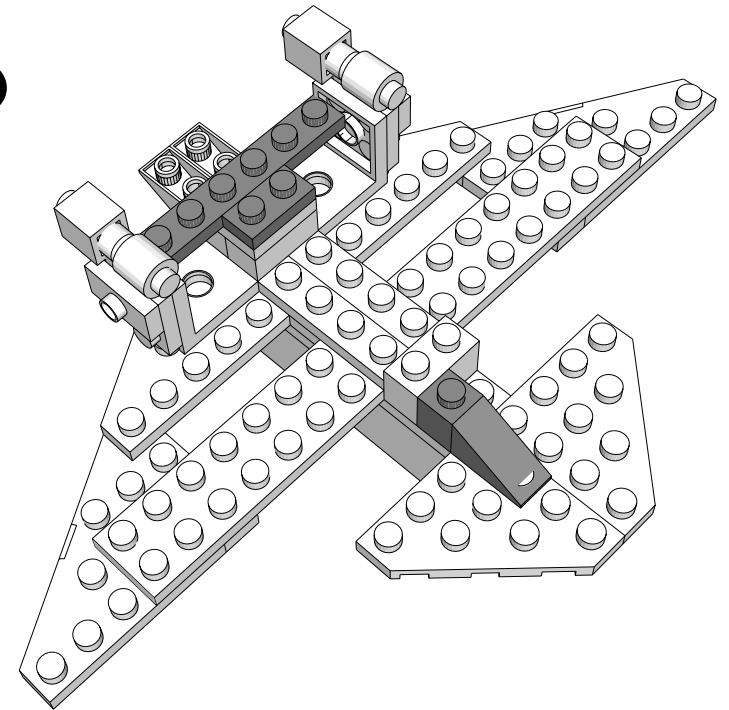
STEP
20



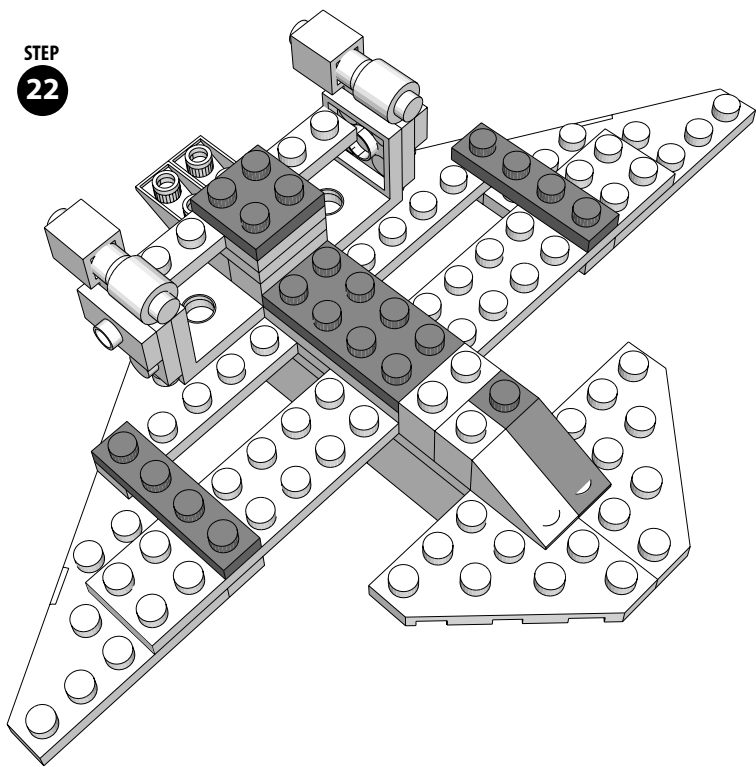
STEP
19



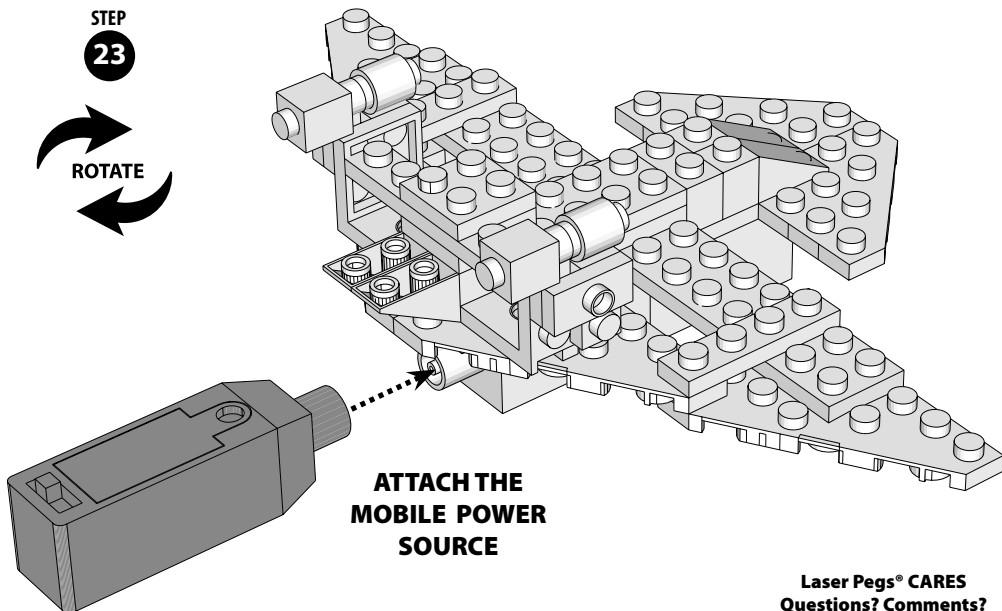
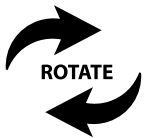
STEP
21



STEP
22

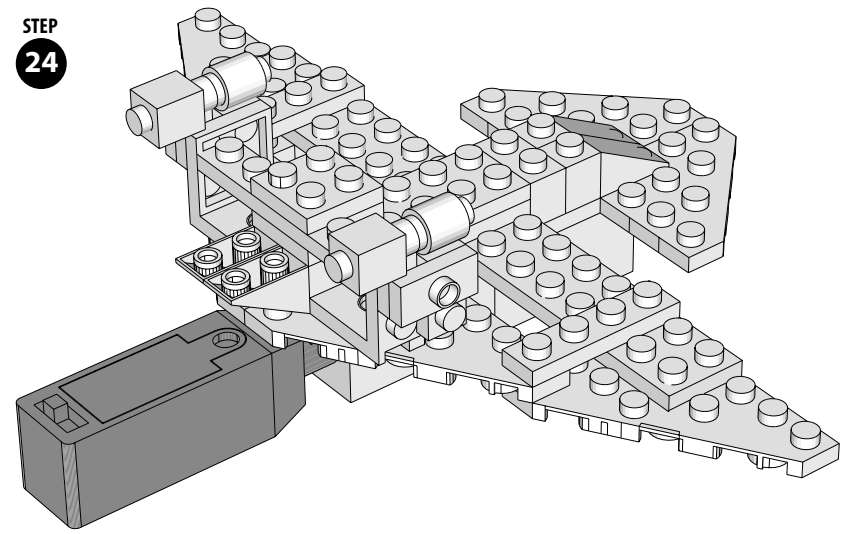


STEP
23

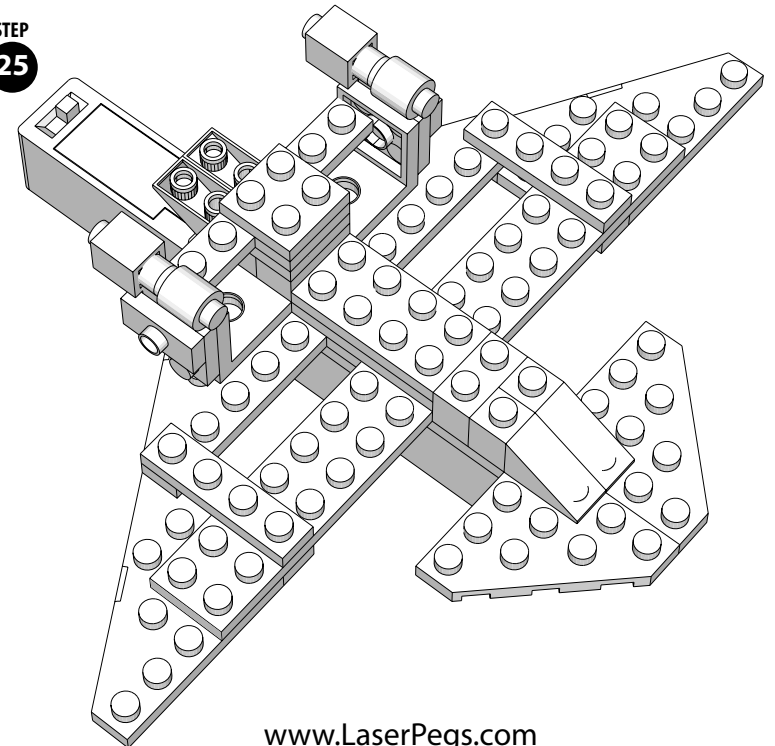


**ATTACH THE
MOBILE POWER
SOURCE**

STEP
24



STEP
25



Laser Pegs® CARES
Questions? Comments?
For additional compliance info:
1-866-432-3735
Contact: Support@LaserPegs.com

www.LaserPegs.com

Copyright 2013 © All Rights Reserved Global & Multiple Patents Pending.
US Patent #7,731,558

MADE IN CHINA